

ROADMAX® RX3

Evluma's Next Generation Roadway Luminaire LED ROADWAY LIGHTING

Applications:

roadways
major & collector streets
parking lots, campuses, industrial parks.

RX3 Wattage Range: 120-300W RX3 Lumen Range: 12,500 - 38,600 lumens



RoadMax RX3 delivers high-performance roadway distributions coupled with exceptional glare control. This graceful, utility-grade luminaire is easily configurable to meet a multitude of application requirements.

Replaces 150W-400W HID

The RoadMax RX3 is a triple light engine luminaire with a lumen output ranging from 12,500 - 38,600 lumens and wattages ranging from 120-300 watts. Lumen output and wattage can be changed in the field through your choice of optional manual or wireless controls.

Construction & Finish

Cast aluminum housing with TGIC-free, polyester powder-coat in a variety of colors. Hinged tool-less access panel for wiring access. The 4-bolt tenon clamp accepts a 2" or 1-1/4" diameter arm. Step adjustment of +/- 5° tilt and integral bubble level built-in. Removable wildlife guard. Coastal version with enhanced hardware available meeting 3000-hour salt spray.

Thermal Protection

Solid aluminum housing provides excellent passive cooling for all electronics. LED & driver life is ensured by thermal management protection that limits current levels to the LEDs based on temperature. Luminaire is rated for full performance at -40°C min – 50°C max ambient temperature.

Lumen Maintenance

L70 (10,000) >55,000
L90 (10,000) >55,000
L70 (TM21) >100,000

All calculations are pending certification testing.

LED & Optical

High-efficacy LEDs with color temperature options of 2700 – 5000 Kelvin and CRI > 70. High-performance Type II, Type III, Type IV and Type V primary borosilicate optics rated at IP66. Factory or field-installable secondary lens available on all optics for managing glare while achieving superior pole spacing. All configurations are Zero Uplight (U0 BUG). Field-installable light trespass shields are available.

Electrical

120-277 VAC 60 Hz auto-adjusting. THD <20% and PF >0.9. 20kV/10kA surge protection per ANSI C136.2 – 2018 Extreme rating, 10kV/5kV Enhanced. Three-position terminal block with optional pigtailed. Separate electronics compartment is rated IP66.

Controls

Dimmable driver. 0-10V interface standard with 7-pin NEMA socket option. Manual wattage control (FAO) optional.

Optional packages includes Photocontrol FailSafe™ and compatibility with the Bluetooth BLE ConnectLED™ mobile app. Can be combined with Evluma's integrated photocell, 3-pin, or 7-pin receptacles.

Warranty

Ten-year warranty.



ROADMAX RX3

PRODUCT CONFIGURATIONS

SAMPLE NUMBER: RX3-220E3T4G0-S7HGL0-JFBN-PC1

| FAMILY ID | WATTS | OUTPUT | CCT (K) | DISTRIBUTION ¹ | LENS | PCR / RECEPTACLE / FAILSAFE |
|-------------------------|-----------|-----------------|----------|---------------------------|---|---|
| RX3 = RoadMax medium | 120 = 120 | E = high output | 7 = 2700 | T2 = type II | G0= none G1= diffused glare control | S3= 3 pin receptacle only S7= 7 pin receptacle only (0-10V) SP= Integrated Photocell F3= S3 pin + Failsafe/CLED F7= S7 pin + Failsafe/CLED FP= Integrated PC + Failsafe/CLED |
| | 140 = 140 | | 3 = 3000 | T3 = type III | | |
| | 160 = 160 | | 4 = 4000 | T4 = type IV | | |
| | 180 = 180 | | 5 = 5000 | T5 = type V | | |
| | 200 = 200 | | | | | |
| | 220 = 220 | | | | | |
| | 240 = 240 | | | | | |
| | 260 = 260 | | | | | |
| | 300 = 300 | | | | | |

| HOUSING | LEADS | SURGE PROTECTION | Features 1 | DRIVER/INPUT (V) | Features 2 |
|----------------------|-----------|-------------------------|------------|-----------------------------|----------------|
| HG = standard gray | L0 = none | A = Surge 20kV/10kA SPD | 0 = none | B = 120-277VAC | 0 = none |
| HB = standard black | L6 = 6' | J = Surge 10kV/5kA MOV | F = FAO | D = 277-480VAC ² | N = NEMA label |
| HZ = standard bronze | L1 = 10' | K = Surge 20kV/10kA SPD | | | |
| | L2 = 20' | Fail Off | | | |
| ZG = coastal gray | | | | | |
| ZB = coastal black | | | | | |
| ZZ = coastal bronze | | | | | |

¹ Nominal IES Type subject to typical variation. Please review individual IES files
² Option D 277-480VAC is not available with SP, F3, F7, or FP.

LENS

The primary glass RX3 optics are designed to deliver precise, evenly-distributed light for Type II, Type III, Type IV and Type V distributions.

Choose G1 to add a secondary lens made from a specially formulated LED acrylic for exceptional glare control.

PCR/RECEPTACLE/FAILSAFE

All photocell receptacles are rotatable. Wireless photocell not provided.

Integrated Photocell (P)

Evluma's integrated photocell shortens installation time. This UV-resistant, polycarbonate photocell meets FM 4473 impact resistance. Rotatable 360°.

ConnectLED™ (CLED)

Order the RX3 configured for compatibility with Evluma's ConnectLED app.

ConnectLED uses Bluetooth BLE technology to securely control individual luminaires. ConnectLED is available as an Apple or Android app.

HOUSING

Standard housings are tested to 1000hrs salt/fog. Coastal housings are tested to 3000hrs and include non-corrosive hardware. Recommended for installation within 2000 ft from saltwater. Custom colors available.

SURGE PROTECTION

Choose your level of surge protection:
 20kV/10kA SPD Fail On or Fail Off,
 10kV/5kA MOV Fail On.

Features 1: FAO

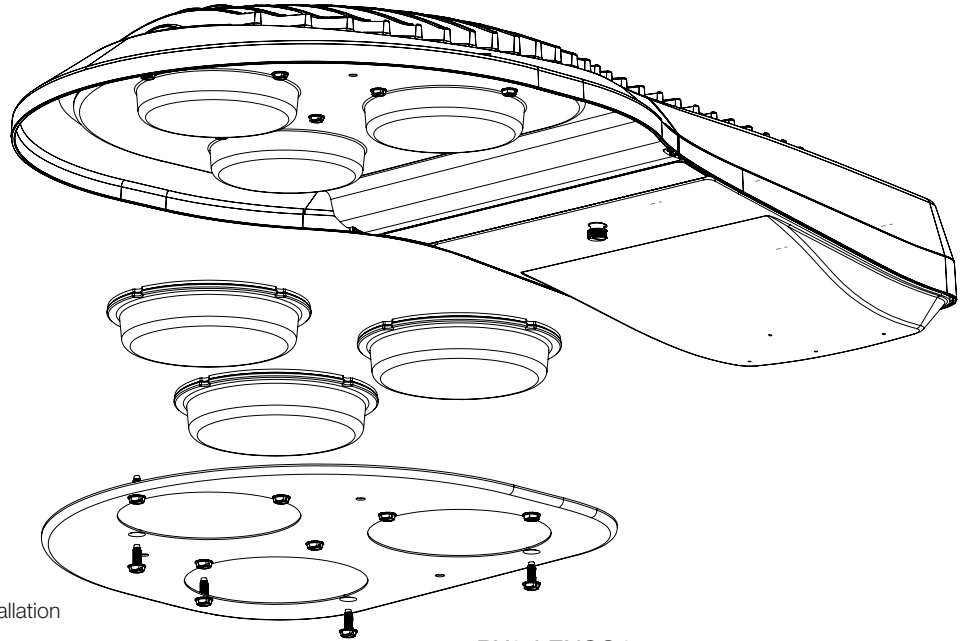
Field Adjustable Wattage Selector (FAO) Manually adjust luminaire wattage and lumen output in the field using the FAO. Allows a single SKU to be adapted to multiple applications or site specific requirements. Seven output levels.

| SWITCH POSITION | INPUT WATTS MULTIPLIER | DELIVERED LUMENS MULTIPLIER |
|-----------------|------------------------|-----------------------------|
| A | 100% | 100% |
| B | 89% | 91% |
| C | 77% | 84% |
| D | 65% | 72% |
| E | 54% | 61% |
| F | 43% | 50% |
| G | 33% | 39% |
| H | 23% | 28% |

| SPECIAL OPTIONS | |
|-----------------|-----------------------------------|
| CAP | = shorting cap |
| PC1 | = long life NEMA photocell |
| PC2 | = long life NEMA photocell 480VAC |

Multiply the nominal wattage and/or lumens to arrive at reduced values. Typical accuracy is +/- 10%. Select the A position if using with an S7 socket and wireless node.

LENS ACCESSORIES



RX3-LENSG1

SECONDARY LENS FOR GLARE CONTROL

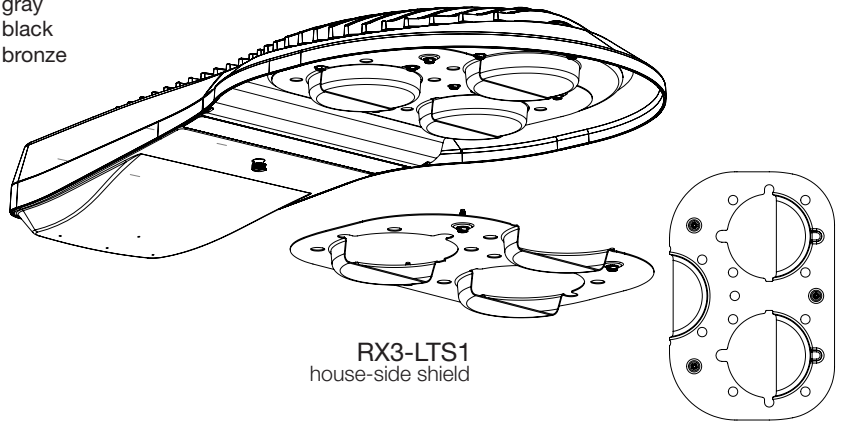
Push Veiling Luminance even lower while maintaining competitive pole spacing within RP-8 recommendations.

RX3 can be ordered from the factory with a set of secondary lenses installed for additional glare control, or order the set separately for installation in the field at a later date.

Prioritize glare reduction while maintaining high roadway performance.

The glare control lens is made from a specially formulated optical acrylic for use with LEDs. Coastal version available. To order separately see the catalog number below.

| FAMILY ID | STYLE | COLOR |
|-----------|---|---|
| RX3 | LENSG1 = secondary lens for glare control | HG = standard gray HB = standard black HZ = standard bronze ZG = coastal gray ZB = coastal black ZZ = coastal bronze |

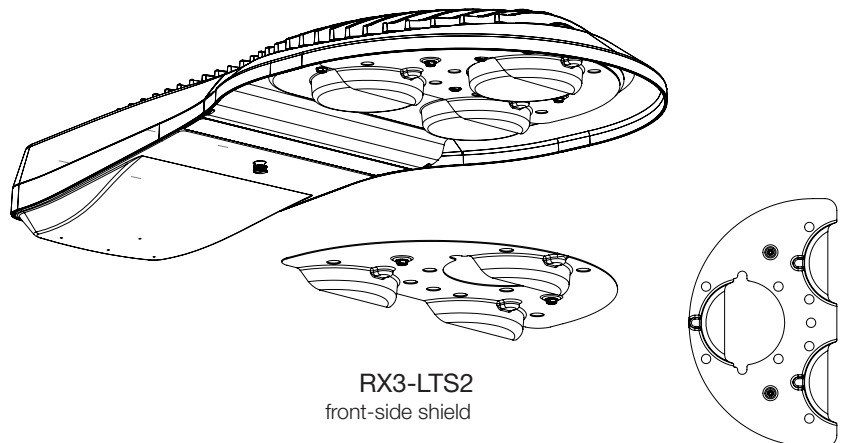


RX3-LTS1
house-side shield

LIGHT TRESPASS SHIELDS

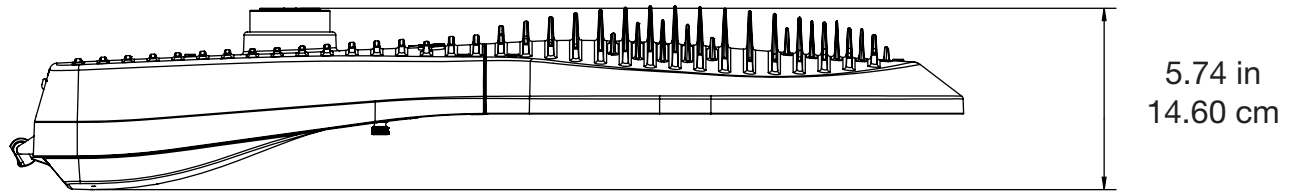
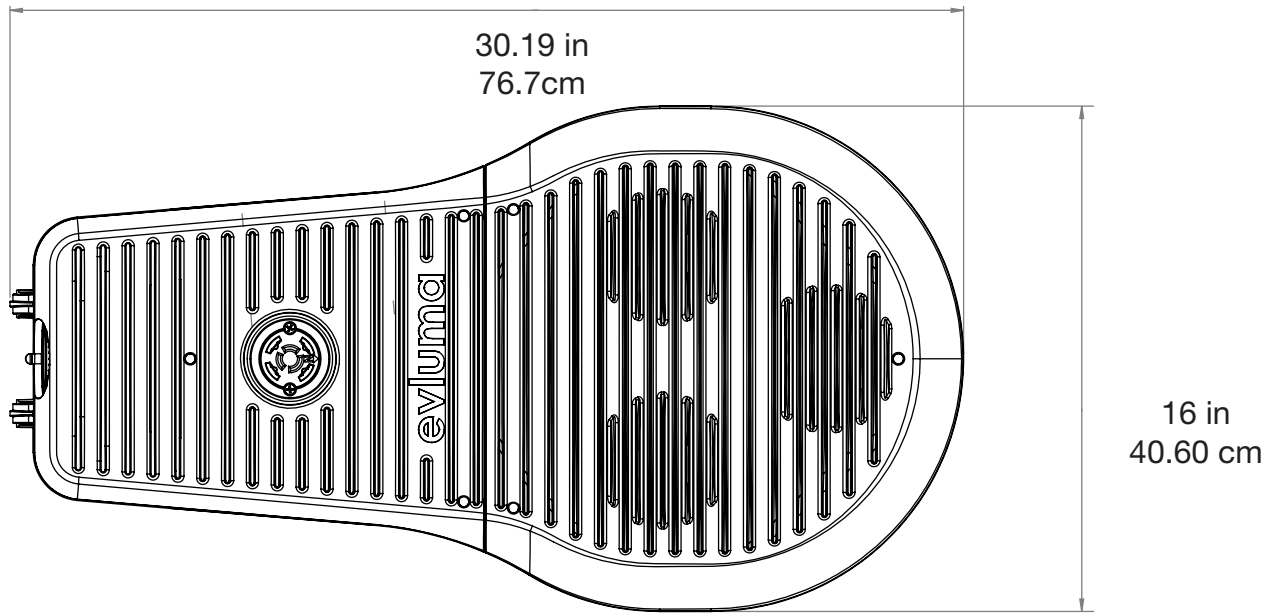
Reduce light trespass and discomfort glare. Field installable shields can be mounted over primary optics or secondary lenses front or back. Shields maintain No Uplight (U0) rating and add no additional EPS. Coastal version available. Order separately.

| FAMILY ID | STYLE | COLOR |
|-----------|--|---|
| RX3 | LTS1 = house-side shield (large) LTS2 = front-side shield (small) | HG = standard gray HB = standard black HZ = standard bronze ZG = coastal gray ZB = coastal black ZZ = coastal bronze |



RX3-LTS2
front-side shield

RX3 DIMENSIONS



Certifications (Pending)

UL 1598. MET Labs
IP66.

C136.31-2018
Level2/3G Vibration

ANSI C136.2-2018
20kV/10kA Extreme
10kV/5kA Enhanced

Ratings

Rated electrical life =
100,00 hours

-40°C Min / 50°C Max Temp

THD <20% 120-277 VAC
PF >90% 120-277 VAC

Effective Projected Area
(EPA) >.6 sq ft

Shipping

Single unit Weight = 23 lbs
LTL pallet qty TBD

PERFORMANCE

Nominal lumen values reported. Individual fixtures may vary +- 10%.

| WATTAGE | DISTRIBUTION Type, Lm/W & BUG | LUMENS (all CCT = >70 CRI) | | | | | | | |
|--------------------|----------------------------------|----------------------------|----------|----------|----------|---------------------------|----------|----------|----------|
| | | G0 option - primary lens | | | | G1 option - glare control | | | |
| | | 2700K | 3000K | 4000K | 5000K | 2700K | 3000K | 4000K | 5000K |
| 120 E Output | II | 15240 | 16680 | 17160 | 17280 | 13800 | 15120 | 15480 | 15480 |
| | Lm/W | 127 | 139 | 143 | 144 | 115 | 126 | 129 | 129 |
| | BUG | B4-U0-G2 | B4-U0-G2 | B4-U0-G2 | B4-U0-G2 | B3-U0-G2 | B3-U0-G2 | B3-U0-G2 | B3-U0-G2 |
| | III | 14640 | 16080 | 16440 | 16560 | 12960 | 14280 | 14640 | 14640 |
| | Lm/W | 122 | 134 | 137 | 138 | 108 | 119 | 122 | 122 |
| | BUG | B2-U0-G3 | B2-U0-G3 | B2-U0-G3 | B2-U0-G3 | B2-U0-G3 | B3-U0-G3 | B3-U0-G3 | B3-U0-G3 |
| | V | 15600 | 17160 | 17520 | 17640 | 13800 | 15240 | 15600 | 15600 |
| | Lm/W | 130 | 143 | 146 | 147 | 115 | 127 | 130 | 130 |
| BUG | B4-U0-G2 | B4-U0-G2 | B4-U0-G2 | B4-U0-G2 | B3-U0-G2 | B3-U0-G2 | B3-U0-G2 | B3-U0-G2 | |
| 140 E Output | II | 17500 | 19180 | 19740 | 19880 | 15820 | 17360 | 17780 | 17780 |
| | Lm/W | 125 | 137 | 141 | 142 | 113 | 124 | 127 | 127 |
| | BUG | B4-U0-G2 | B4-U0-G2 | B4-U0-G2 | B4-U0-G2 | B3-U0-G3 | B3-U0-G3 | B3-U0-G3 | B3-U0-G3 |
| | III | 16800 | 18480 | 18900 | 19040 | 14840 | 16380 | 16800 | 16800 |
| | Lm/W | 120 | 132 | 135 | 136 | 106 | 117 | 120 | 120 |
| | BUG | B2-U0-G3 | B3-U0-G3 | B3-U0-G3 | B3-U0-G3 | B3-U0-G3 | B3-U0-G3 | B3-U0-G3 | B3-U0-G3 |
| | V | 17920 | 19740 | 20160 | 20300 | 15820 | 17500 | 17920 | 17920 |
| | Lm/W | 128 | 141 | 144 | 145 | 113 | 125 | 128 | 128 |
| BUG | B4-U0-G2 | B4-U0-G2 | B4-U0-G2 | B4-U0-G2 | B3-U0-G2 | B3-U0-G2 | B3-U0-G2 | B3-U0-G2 | |
| 160 E Output | II | 19680 | 21600 | 22240 | 22400 | 17760 | 19520 | 20000 | 20000 |
| | Lm/W | 123 | 135 | 139 | 140 | 111 | 122 | 125 | 125 |
| | BUG | B4-U0-G2 | B4-U0-G2 | B4-U0-G2 | B4-U0-G2 | B3-U0-G3 | B3-U0-G3 | B3-U0-G3 | B3-U0-G3 |
| | III | 18880 | 20800 | 21280 | 21440 | 16640 | 18400 | 18880 | 18880 |
| | Lm/W | 118 | 130 | 133 | 134 | 104 | 115 | 118 | 118 |
| | BUG | B3-U0-G3 | B3-U0-G3 | B3-U0-G3 | B3-U0-G3 | B3-U0-G3 | B3-U0-G3 | B3-U0-G3 | B3-U0-G3 |
| | V | 20160 | 22240 | 22720 | 22880 | 17760 | 19680 | 20160 | 20160 |
| | Lm/W | 126 | 139 | 142 | 143 | 111 | 123 | 126 | 126 |
| BUG | B4-U0-G2 | B4-U0-G2 | B4-U0-G2 | B4-U0-G2 | B4-U0-G3 | B4-U0-G3 | B4-U0-G3 | B4-U0-G3 | |
| 180 E Output | II | 21780 | 23940 | 24660 | 24840 | 19620 | 21600 | 22140 | 22140 |
| | Lm/W | 121 | 133 | 137 | 138 | 109 | 120 | 123 | 123 |
| | BUG | B4-U0-G2 | B4-U0-G2 | B4-U0-G2 | B4-U0-G2 | B3-U0-G3 | B3-U0-G3 | B3-U0-G3 | B3-U0-G3 |
| | III | 20880 | 23040 | 23580 | 23760 | 18360 | 20340 | 20880 | 20880 |
| | Lm/W | 116 | 128 | 131 | 132 | 102 | 113 | 116 | 116 |
| | BUG | B3-U0-G3 | B3-U0-G3 | B3-U0-G3 | B3-U0-G3 | B3-U0-G4 | B3-U0-G4 | B3-U0-G4 | B3-U0-G4 |
| | V | 22320 | 24660 | 25200 | 25380 | 19620 | 21780 | 22320 | 22320 |
| | Lm/W | 124 | 137 | 140 | 141 | 109 | 121 | 124 | 124 |
| BUG | B4-U0-G2 | B4-U0-G2 | B4-U0-G2 | B4-U0-G2 | B4-U0-G3 | B4-U0-G3 | B4-U0-G3 | B4-U0-G3 | |
| 200 E Output | II | 23800 | 26200 | 27000 | 27200 | 21400 | 23600 | 24200 | 24200 |
| | Lm/W | 119 | 131 | 135 | 136 | 107 | 118 | 121 | 121 |
| | BUG | B3-U0-G3 | B3-U0-G3 | B3-U0-G3 | B3-U0-G3 | B3-U0-G3 | B3-U0-G3 | B3-U0-G3 | B3-U0-G3 |
| | III | 22800 | 25200 | 25800 | 26000 | 20000 | 22200 | 22800 | 22800 |
| | Lm/W | 114 | 126 | 129 | 130 | 100 | 111 | 114 | 114 |
| | BUG | B3-U0-G3 | B3-U0-G3 | B3-U0-G3 | B3-U0-G3 | B3-U0-G4 | B3-U0-G4 | B3-U0-G4 | B3-U0-G4 |
| | V | 24400 | 27000 | 27600 | 27800 | 21400 | 23800 | 24400 | 24400 |
| | Lm/W | 122 | 135 | 138 | 139 | 107 | 119 | 122 | 122 |
| BUG | B4-U0-G2 | B5-U0-G3 | B5-U0-G3 | B5-U0-G3 | B4-U0-G3 | B4-U0-G3 | B4-U0-G3 | B4-U0-G3 | |
| 220 E Output | II | 25740 | 28380 | 29260 | 29480 | 23100 | 25520 | 26180 | 26180 |
| | Lm/W | 117 | 129 | 133 | 134 | 105 | 116 | 119 | 119 |
| | BUG | B3-U0-G3 | B3-U0-G3 | B3-U0-G3 | B3-U0-G3 | B4-U0-G3 | B3-U0-G3 | B3-U0-G3 | B3-U0-G3 |
| | III | 24640 | 27280 | 27940 | 28160 | 21560 | 23980 | 24640 | 24640 |
| | Lm/W | 112 | 124 | 127 | 128 | 98 | 109 | 112 | 112 |
| | BUG | B3-U0-G3 | B3-U0-G3 | B3-U0-G3 | B3-U0-G3 | B3-U0-G4 | B3-U0-G4 | B3-U0-G4 | B3-U0-G4 |
| | V | 26400 | 29260 | 29920 | 30140 | 23100 | 25740 | 26400 | 26400 |
| | Lm/W | 120 | 133 | 136 | 137 | 105 | 117 | 120 | 120 |
| BUG | B5-U0-G3 | B5-U0-G3 | B5-U0-G3 | B5-U0-G3 | B4-U0-G3 | B4-U0-G3 | B4-U0-G3 | B4-U0-G3 | |



| WATTAGE | DISTRIBUTION Type, Lm/W & BUG | LUMENS (all CCT = >70 CRI) | | | | | | | |
|--------------------|----------------------------------|----------------------------|----------|----------|----------|---------------------------|----------|----------|----------|
| | | G0 option - primary lens | | | | G1 option - glare control | | | |
| | | 2700K | 3000K | 4000K | 5000K | 2700K | 3000K | 4000K | 5000K |
| 240 E Output | II | 27600 | 30480 | 31440 | 31680 | 24720 | 27360 | 28080 | 28080 |
| | Lm/W | 115 | 127 | 131 | 132 | 103 | 114 | 117 | 117 |
| | BUG | B3-U0-G3 | B3-U0-G3 | B3-U0-G3 | B3-U0-G3 | B3-U0-G3 | B3-U0-G3 | B3-U0-G3 | B3-U0-G3 |
| | III | 26400 | 29280 | 30000 | 30240 | 23040 | 25680 | 26400 | 26400 |
| | Lm/W | 110 | 122 | 125 | 126 | 96 | 107 | 110 | 110 |
| | BUG | B3-U0-G3 | B3-U0-G3 | B3-U0-G3 | B3-U0-G3 | B3-U0-G4 | B3-U0-G4 | B3-U0-G4 | B3-U0-G4 |
| | V | 28320 | 31440 | 32160 | 32400 | 24760 | 28320 | 28320 | 28320 |
| | BUG | B5-U0-G3 | B5-U0-G3 | B5-U0-G3 | B5-U0-G3 | B4-U0-G3 | B4-U0-G3 | B4-U0-G3 | B4-U0-G3 |
| 260 E Output | II | 29380 | 32500 | 33540 | 33800 | 26260 | 29120 | 29900 | 29900 |
| | Lm/W | 113 | 125 | 129 | 130 | 101 | 112 | 115 | 115 |
| | BUG | B3-U0-G3 | B3-U0-G3 | B3-U0-G3 | B3-U0-G3 | B3-U0-G3 | B3-U0-G4 | B3-U0-G4 | B3-U0-G4 |
| | III | 28080 | 31200 | 31980 | 32240 | 24440 | 27300 | 28080 | 28080 |
| | Lm/W | 108 | 120 | 123 | 124 | 94 | 105 | 108 | 108 |
| | BUG | B3-U0-G3 | B3-U0-G4 | B3-U0-G4 | B3-U0-G4 | B3-U0-G4 | B3-U0-G4 | B3-U0-G4 | B3-U0-G4 |
| | V | 30160 | 33540 | 34320 | 34580 | 26260 | 29380 | 30460 | 30160 |
| | BUG | B5-U0-G3 | B5-U0-G3 | B5-U0-G3 | B5-U0-G3 | B4-U0-G3 | B4-U0-G3 | B4-U0-G3 | B4-U0-G3 |
| 280 E Output | II | 31080 | 34440 | 35560 | 35840 | 27720 | 30800 | 31640 | 31640 |
| | Lm/W | 111 | 123 | 127 | 128 | 99 | 110 | 113 | 113 |
| | BUG | B3-U0-G3 | B3-U0-G3 | B3-U0-G3 | B3-U0-G3 | B3-U0-G3 | B3-U0-G4 | B3-U0-G4 | B3-U0-G4 |
| | III | 29680 | 33040 | 33880 | 34160 | 25760 | 28840 | 29680 | 29680 |
| | Lm/W | 106 | 118 | 121 | 122 | 92 | 103 | 106 | 106 |
| | BUG | B3-U0-G4 | B4-U0-G4 | B4-U0-G4 | B4-U0-G4 | B3-U0-G4 | B3-U0-G4 | B3-U0-G4 | B3-U0-G4 |
| | V | 31920 | 35560 | 36400 | 36680 | 27720 | 31080 | 31920 | 31920 |
| | BUG | B5-U0-G3 | B5-U0-G3 | B5-U0-G3 | B5-U0-G3 | B4-U0-G3 | B4-U0-G4 | B4-U0-G4 | B4-U0-G4 |
| 300 E Output | II | 32640 | 36410 | 37430 | 37650 | 28980 | 32320 | 33220 | 33420 |
| | Lm/W | 109 | 121 | 125 | 126 | 97 | 108 | 111 | 111 |
| | BUG | B3-U0-G3 | B3-U0-G4 | B3-U0-G4 | B3-U0-G4 | B3-U0-G4 | B4-U0-G4 | B4-U0-G4 | B4-U0-G4 |
| | III | 31250 | 34850 | 35830 | 36040 | 27120 | 30250 | 31090 | 31280 |
| | Lm/W | 104 | 116 | 119 | 120 | 90 | 101 | 104 | 104 |
| | BUG | B3-U0-G4 | B4-U0-G4 | B4-U0-G4 | B4-U0-G4 | B3-U0-G4 | B3-U0-G4 | B3-U0-G4 | B3-U0-G4 |
| | V | 33520 | 37380 | 38430 | 38660 | 29180 | 32550 | 33460 | 33600 |
| | BUG | B5-U0-G3 | B5-U0-G3 | B5-U0-G3 | B5-U0-G3 | B5-U0-G3 | B5-U0-G4 | B5-U0-G4 | B5-U0-G4 |



3600 Lind Avenue SW Suite 140
 Renton WA 98057
 425-336-5800 www.evluma.com